

D+H Software GmbH, Dinkelweg 3 48619 Heek-Nienborg

Date: 9.2.2011

item noref. no.	Description	H/W/D	quantity
1 36633	hülsta now! No.14 Dining table - Light brown ash	75.0 / 160.0 / 90.0	1



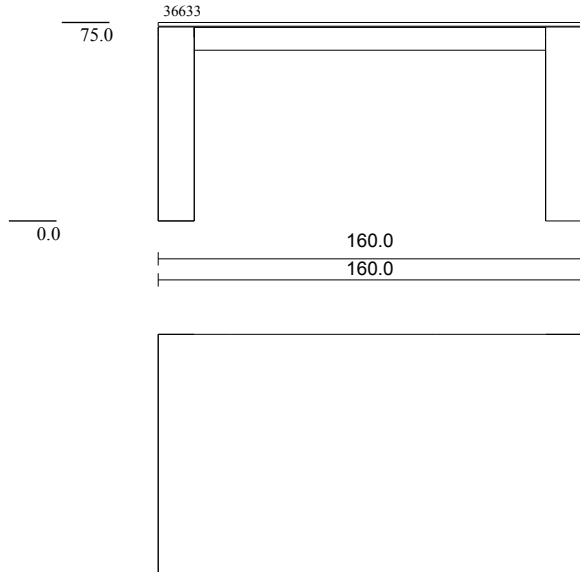
09.02.2011

Project number:

Commission

Customer:

13554 0, Hülsta ADM IT-Service, 48703 Stadtho, Germany



Rows	A	09.02.2011	
		Project number:	Commission
			Customer:
			13554 0, Hülsta ADM IT-Service, 48703 Stadtlohn, Germany



09.02.2011

Project number:

Commission

Customer:

13554 0, Hülsta ADM IT-Service, 48703 Stadtho, Germany